

**2010 GRANT APPLICATION  
TRANSPORTATION ENHANCEMENT PROJECTS**

**STATE ROAD 90 WELCOME SIGN PROJECT**

**PREPARED FOR:  
THE CITY OF MIDWAY**



**City of Midway  
Gadsden County, Florida**

**Council Members**

**Delores Madison  
Ella Barber  
Jerrod Holton  
Quintealia Cato, Mayor  
David Knight  
Charlie Smith  
Charles Willis, Mayor Pro-Tem  
Agatha Muse-Salters, City Manager**

**MAY 2010**

**PREPARED BY**



**PREBLE-RISH INC**  
CONSULTING ENGINEERS & SURVEYORS

**20684 Central Avenue East  
Blountstown, FL 32424**

203 Aberdeen Parkway  
Panama City, FL 32405  
850/522-0644

877 C.R. 393 North  
Santa Rosa Beach, FL 32459  
850/267-0759

10490 NW Main Street  
Bristol, FL 32321  
850/643-2771

324 Marina Drive  
Port St. Joe, FL 32456  
850/227-7200

20684 Central Avenue East  
Blountstown, FL 32424  
850/674-3300

STATE OF FLORIDA DEPARTMENT OF TRANSPORTATION  
**APPLICATION FOR TRANSPORTATION  
 ENHANCEMENT PROJECTS**

**Project Title:** S.R. 90 Welcome Sign

**Project Sponsor** (municipal, county, state, or federal agency, or tribal council):

City of Midway

Contact Agatha Muse-Salters Title City Manager

Address P.O. Box 438, Midway, FL 32343

Phone 850-574-2355 FAX 850-574-0633

Priority (relative to other applications submitted by the Project Sponsor). Three (3)

Name of Applicant (If other than Project Sponsor): N/A

**1. Qualifying Enhancement Activities:**

Check the enhancement activity that the proposed project will address. **(NOTE: Checking all activities possible does not ensure or increase eligibility. Each activity checked must meet all criteria listed for that activity in Appendix A of Procedure No. 525-030-300, Transportation Enhancement Projects).**

- Provision of facilities for pedestrians and bicycles
- The provision of safety and educational activities for pedestrian and bicyclists
- Acquisition of scenic easements and scenic or historic sites
- Scenic or historic highway programs, (including the provision of tourist and welcome center facilities)
- Landscaping and other scenic beautification
- Historic preservation
- Rehabilitation of historic transportation buildings, structures or facilities (including historic railroad facilities and canals)
- Preservation of abandoned railway corridors (including the conversion and use thereof for pedestrian or bicycle trails)
- Control and removal of outdoor advertising
- Archaeological planning and research
- Environmental mitigation to address water pollution due to highway runoff or reduce vehicle-caused wildlife mortality while maintaining habitat connectivity
- Establishment of transportation museums

STATE OF FLORIDA DEPARTMENT OF TRANSPORTATION  
**APPLICATION FOR TRANSPORTATION  
 ENHANCEMENT PROJECTS**

**Project Title:** Brickyard Road Sidewalk/Bike Path/Lighting Project

**Project Sponsor** (municipal, county, state, or federal agency, or tribal council):

City of Midway

Contact Agatha Muse-Salters Title City Manager

Address P.O. Box 438, Midway, FL 32343

Phone 850-574-2355 FAX 850-574-0633

Priority (relative to other applications submitted by the Project Sponsor). Two (2)

Name of Applicant (If other than Project Sponsor): N/A

**1. Qualifying Enhancement Activities:**

Check the enhancement activity that the proposed project will address. (NOTE: Checking all activities possible does not ensure or increase eligibility. Each activity checked must meet all criteria listed for that activity in *Appendix A of Procedure No. 525-030-300, Transportation Enhancement Projects*).

- Provision of facilities for pedestrians and bicycles
- The provision of safety and educational activities for pedestrian and bicyclists
- Acquisition of scenic easements and scenic or historic sites
- Scenic or historic highway programs, (including the provision of tourist and welcome center facilities)
- Landscaping and other scenic beautification
- Historic preservation
- Rehabilitation of historic transportation buildings, structures or facilities (including historic railroad facilities and canals)
- Preservation of abandoned railway corridors (including the conversion and use thereof for pedestrian or bicycle trails)
- Control and removal of outdoor advertising
- Archaeological planning and research
- Environmental mitigation to address water pollution due to highway runoff or reduce vehicle-caused wildlife mortality while maintaining habitat connectivity
- Establishment of transportation museums

**2. Project Description:**

Use additional sheets as necessary to respond to the following:

- (a) What type of work is being proposed? (Check all that apply)

Planning Activities  
 Project Development and Environmental Studies  
 Engineering and Final Plans Preparation Work  
 Right of Way Acquisition  
 Construction  
 Construction Engineering and Inspection Activities

- (b) Describe how the proposed project is related to the intermodal transportation system by either function, proximity or impact. (One or more may apply). **See Attachment 2.B**
- (c) Where is the project located (and what is the project length and termini, if appropriate)? Include location map. **See Attachment 2.C.**
- (d) Summarize any special characteristics of project. Provide typical section drawings for appropriate projects. **See Attachment 2.D.**
- (e) Describe the project's existing right of way ownerships. This description shall identify when the right of way was acquired and how ownership is documented (i.e. plats, deeds, prescriptions, certified surveys). **See Attachment 2.E.**
- (f) Describe any proposed right of way acquisition, including expected matching fund source, limitations on fund use or availability, and who will acquire and retain ownership of proposed right of way. **See Attachment 2.F.**
- (g) Describe any related project work phases that are already complete or currently underway. **See Attachment 2.G.**
- (h) Other specific project information that should be considered. **See Attachment 2.H.**

**3. Project Implementation Information:**

Attach documentation as exhibits to this application.

- (a) Describe the proposed method of performing (i.e. contract or in-house) and administering (i.e. local or state) each work phase of the project. If it is proposed that the project be administered by a governmental entity other than the Department of Transportation, the agency must be certified to administer Federal Aid projects in accordance with the department's **Local Agency Program Manual (Topic No. 525-010-300)**. **See Attachment 3.A.**
- (b) Describe any public (and private, if applicable) support of the proposed project. (Examples include: written endorsement, formal declaration, resolution, financial donations or other appropriate means). **See Attachment 3.B.**
- (c) Describe the proposed ownership and maintenance responsibilities for the project when it is completed. **See Attachment 3.C.**
- (d) Describe source of matching funds and any restrictions on availability. **See Attachment 3.D.**
- (e) Other specific implementation information that should be considered. **See Attachment 3.E.**

4. **Project Cost:**

What is the total estimated cost of the work requested to be funded as an enhancement project through this application?

Planning Activities.	\$	<u>0</u>
Project Development and Environmental Studies.	\$	<u>0</u>
Engineering and Final Plans Preparation Work.	\$	<u>0</u>
Right of Way Acquisition.	\$	<u>0</u>
Construction.	\$	<u>8,800.0</u>
Construction Engineering and Inspection Activities.	\$	<u>0</u>
Other. (Describe)	\$	<u>0</u>
<b>TOTAL:</b>	\$	<u>8,800.0</u>

How will the project be funded?

FDOT Enhancement Funds \$ 8,800.0 + Local \$ 0 = Total \$8,800.0

FDOT Enhancement Funds 100 % + Local 0 % Total= 100%

**CERTIFICATION OF PROJECT SPONSOR**

I hereby certify that the proposed project herein described is supported by City of Midway, (municipal, county, state or federal agency, or tribal council and that said entity will: (1) provide any required funding match; (2) enter into a maintenance agreement with the Florida Department of Transportation; (3) comply with the **Federal Uniform Relocation Assistance and Acquisition Policies Act** for any Right of Way actions required for the project, and (4) support other actions necessary to fully implement the proposed project. I further certify that the estimated costs included herein are reasonable and understand that significant increases in these costs could cause the project to be removed from the Florida Department of Transportation work program.

This project will be administered using the department's Local Agency Program (check one) yes  no

FOR FDOT USE ONLY	
	See Attachment 3:A YES      NO
Application Complete	_____
Project Eligible	_____
Implementation Feasible	_____
Include in Work Program	_____

See Attachment 3:A

*Agatha Muse-Salters*

Signature \_\_\_\_\_

Agatha Muse-Salters \_\_\_\_\_

Name (please type or print)

City Manager \_\_\_\_\_

Title \_\_\_\_\_

## **Attachment 2.B**

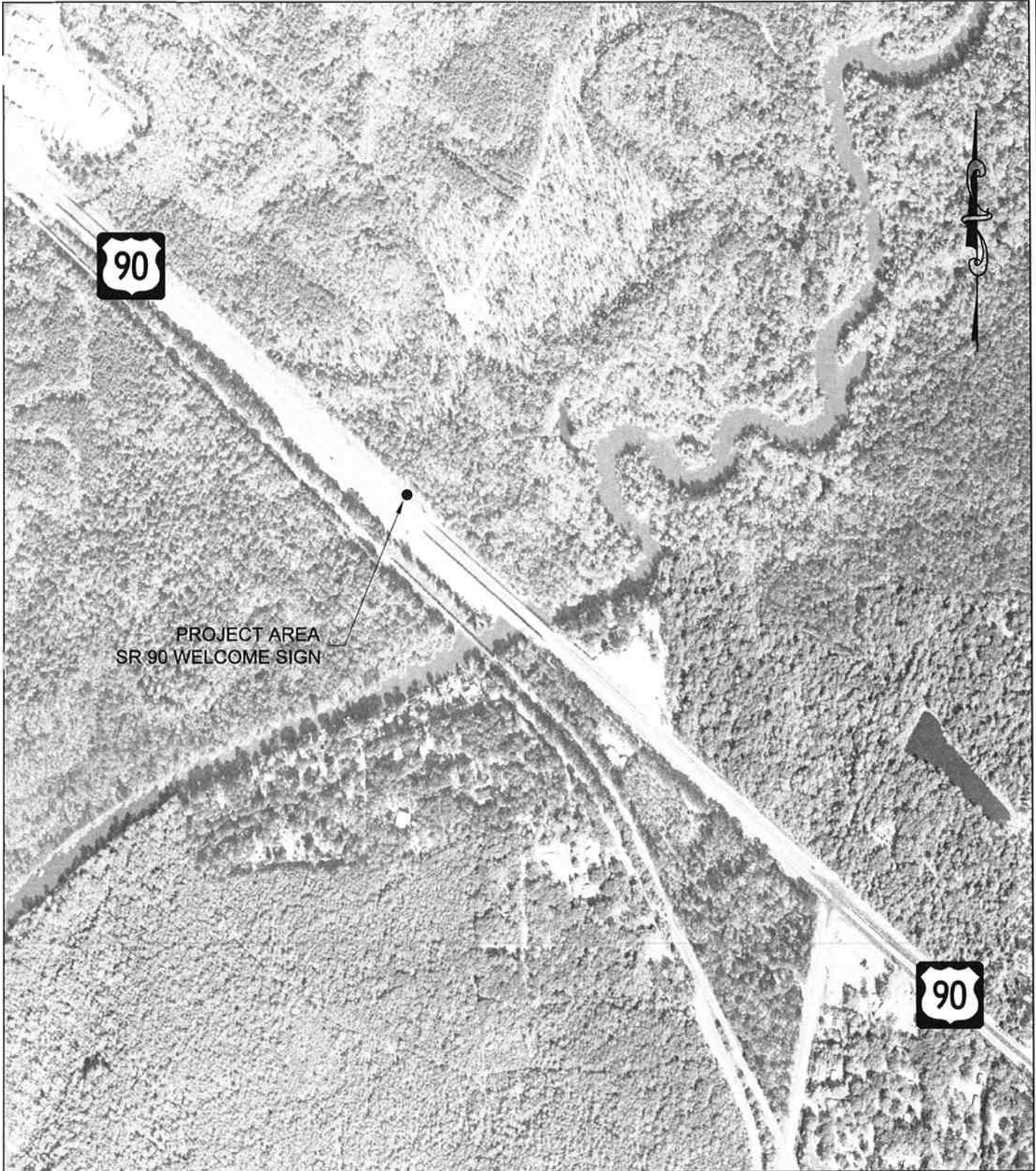
---

This project will consist of the addition of a new welcome sign on US 90 entering the City of Midway. The sign will be accompanied by some landscaping to enhance the City of Midway's appeal to travelers passing through on Highway 90. This project will improve Midway's appeal to tourists and help to secure a sense of civic pride for the City of Midway.

## **Attachment 2.C**

---

The project will be located on US 90 (Blue Star Highway) on the eastern limits of the City of Midway.



June 1, 2010 07:51:04 EST  
S:\013.072 TEP APPLICATION\DWG\MIDWAY\_SR90.DWG ROCHERB

EB# 0006155

**PREBLE-RISH, INC.**  
CONSULTING ENGINEERS AND SURVEYORS  
CIVIL • SURVEYING • SITE PLANNING

324 MARINA DRIVE    203 ABERDEEN PARKWAY    6366 SCENIC HWY 30A, SUITE 104    10490 N.W. MAIN STREET  
PORT ST. JOE, FL 32456    PANAMA CITY, FL 32406    SANTA ROSA BEACH, FL 32459    BRISTOL, FL 32301  
(850) 221-7200    (850) 522-0644    (850) 231-9502    (850) 543-2771

MIDWAY-SR 90 WELCOME SIGN  
TE GRANT  
CITY OF MIDWAY  
GADSDEN COUNTY, FLORIDA

DATE: MAY	PROJECT NO. 013.072
SCALE: N.T.S.	
DRAWN: B.ROCHER	SHEET 1
CHECKED: D.STANLEY	

Drawn: 2010 02/25/04 ESTS  
S:\013072\TEP\_APP\LIGHTING\SUBSET\MIDWAY\_SPP01.DWG



PROJECT NO. 013.072	DATE: MAY 2010	NO.	DATE	APPR.	REVISION
SHEET 2	SCALE: AS SHOWN	1			
	DRAWN: B. ROCHER	2			
	CHECKED: T. JUSTICE	3			
		4			
		5			

**PREBLE-RISH INC.**  
CONSULTING ENGINEERS AND SURVEYORS  
CIVIL SURVEYING • SITE PLANNING

304 MARINA DRIVE  
PORT ST. JOE, FL 32466  
(850) 227-7200

3305 SCHEPPE DRIVE, SUITE 104  
PANAMA CITY, FL 32405  
(850) 522-6644

29044 CENTRAL AVENUE, EAST  
BLAINSTOWN, FL 32424  
(850) 674-3300

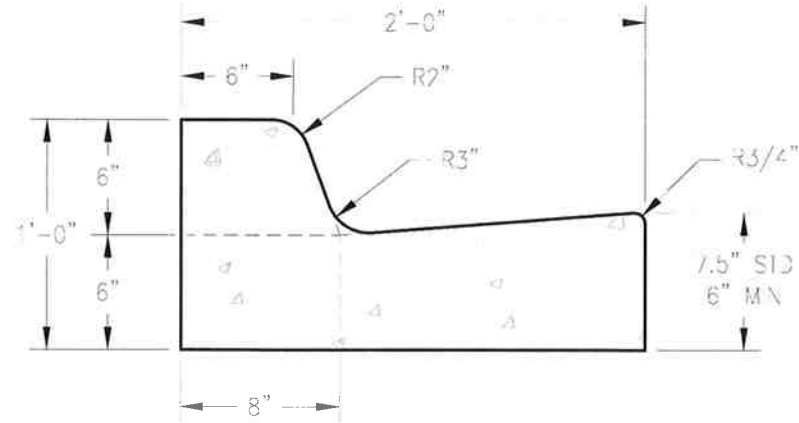
RUSTLING PINES SIDEWALK/LIGHTING  
TE GRANT  
GADSDEN COUNTY, FLORIDA

EBR 0006155

## **Attachment 2.D**

---

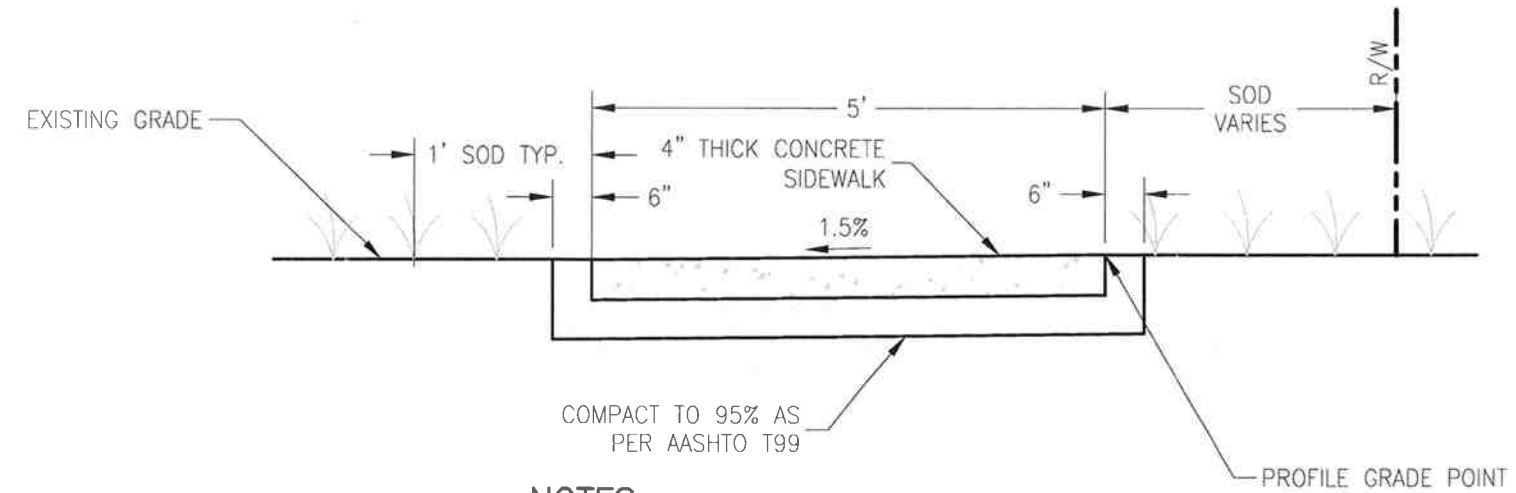
The project will help the City become more attractive and appealing to visitors and tourists as well as residents.



- NOTES:**
1. CONCRETE SHALL BE 3,000 PSI FIBER MESH REINFORCED.
  2. CURB SHALL BE CONSTRUCTED IN ACCORDANCE WITH FDOT INDEX 300.

**DETAIL TYPE 'F' CURB**

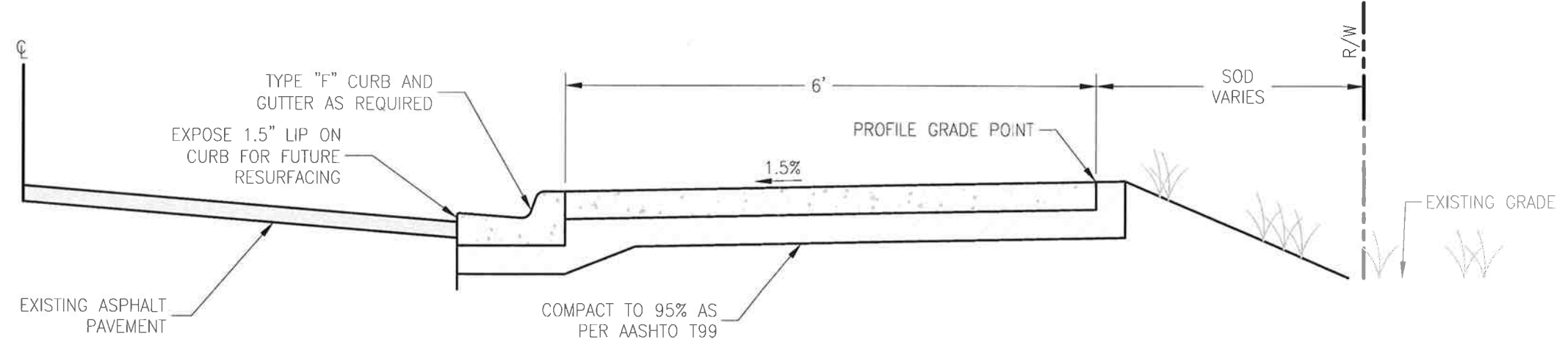
SCALE: N.T.S.



- NOTES:**
1. CONCRETE SIDEWALK SHALL BE CONSTRUCTED IN ACCORDANCE WITH SECTION 522 OF THE FDOT STANDARDS FOR ROAD AND BRIDGE CONSTRUCTION.
  2. CONTRACTOR SHALL WET SURFACE IMMEDIATELY BEFORE PLACEMENT OF CONCRETE.
  3. CONTRACTOR SHALL SOD ALL DISTURBED AREAS.

**SECTION SIDEWALK**

SCALE: N.T.S.



- NOTES:**
1. CONCRETE SIDEWALK SHALL BE CONSTRUCTED IN ACCORDANCE WITH SECTION 522 OF THE 2007 FDOT STANDARDS FOR ROAD AND BRIDGE CONSTRUCTION.
  2. CONTRACTOR SHALL WET SURFACE IMMEDIATELY BEFORE PLACEMENT OF CONCRETE.
  3. CONTRACTOR SHALL SOD ALL DISTURBED AREAS.

**SECTION SIDEWALK AND TYPE 'F' CURB**

SCALE: N.T.S.

JUNE 1, 2010 07:35:04 EST  
S:\03\072\11P APPLICATION\DWG\11MAY\_0890.DWG

PROJECT NO.	013.072	DATE:	MAY 2010
SHEET	3	SCALE:	AS SHOWN
		DRAWN:	B. ROCHER
		CHECKED:	T. JUSTICE

EB# 006155

**PREBLE-RISH INC**  
CONSULTING ENGINEERS AND SURVEYORS  
CIVIL SURVEYING • SITE PLANNING

301 MARINA DRIVE  
PORT ST. JOE, FL 32456  
(850) 271-7200

200 AMBEREEN PARKWAY  
SANTA ROSA BEACH, FL 32459  
(850) 322-0444

2004 CENTRAL AVENUE EAST  
ELICHAPESTOWN, FL 32044  
(850) 974-5000

TYPICAL SECTIONS  
TE GRANT  
GADSDEN COUNTY, FLORIDA

## **Attachment 2.E**

---

The proposed Welcome Sign will be located on US 90 (Blue Star Highway) as you come enter the City of Midway from the east.

## **Attachment 2.F**

---

Not applicable. (The proposed Welcome Sign will be within the State right of way along US 90).

## **Attachment 2.G**

---

The proposed Welcome Sign Project is a single phase project. No work has been completed on this project.

**Attachment 2.H**

---

Not applicable.

## **Attachment 3.A**

---

The City of Midway is currently seeking LAP certification and intends to administer the design and construction of the proposed project.

## **Attachment 3.B**

---

Through community input and suggestions from non-profit community organizations such as the Beautification Committee, the City produced a list of four (4) proposed projects that were reviewed and ranked by the City Council Members. These four (4) projects were ranked as follows:

1. Martin Luther King/Peters Road Sidewalk/Bike Lane/Lighting Project
2. Brickyard Road Sidewalk/Bike Path/Lighting Project
3. US 90 Welcome Sign
4. Rustling Pines Boulevard

**Transportation Enhancement Projects  
City of Midway Council Rankings**

**Projects**

1. **Extend the side walk that ends at MLK to Peters Road and continue down Peters Road. Include street lightning, and bike lanes.**
2. **Extend the side walk that ends at MLK and continue down Brickyard Road to Highway 90 by the Waffle House. Include street lightning, and bike lanes.**
3. **A welcome sign on East 90 as motorists come into the City of Midway. The sign will be brick with landscaping around the sign and plants inside the base of the sign.**
4. **Extend the side walk that ends at Palmer Road to Rustling Pines Boulevard and continue down Rustling Pines Boulevard. Include street lightning, and bike lanes.**

**Ranking Point Scale:  
1st Place - 35 Points  
2nd Place - 30 Points  
3rd Place - 20 Points  
4th Place - 15 Points  
Total Points - 100**

<b>Councilmembers</b>	<b>Ranking</b>	<b>Project 1</b>	<b>Project 2</b>	<b>Project 3</b>	<b>Project 4</b>
Mayor Cato	1, 3, 2, 4	35	20	30	15
Mayor Pro-Tem Willis	1, 2, 4, 3	35	30	15	20
Councilmember Smith	2, 1, 4, 3	30	35	15	20
Councilmember Barber	4, 1, 2, 3	30	20	15	35
Councilmember Madison	3, 1, 2, 4	30	20	35	15
Councilmember Knight	1, 2, 4, 3	35	30	15	20
Councilmember Holton	3, 1, 2, 4	30	20	35	15
<b>Totals</b>		<b>225</b>	<b>175</b>	<b>160</b>	<b>140</b>



# CITY OF MIDWAY

50 MARTIN LUTHER KING BOULEVARD • P.O. Box 438 • MIDWAY, FL 32343 • (850) 574-2355 • FAX: (850) 574-0633 • WWW.MIDWAYFL.COM

---

June 3, 2010

Dear Ms. Muse-Salters,

The Beautification Subcommittee of the City of Midway met on Tuesday, June 1, 2010. We reviewed the suggested projects for the Transportation Enhancement Grant and recommend the projects be scored in the current order that they were submitted to the committee. They are listed as follows:

1. Extend the side walk that ends at MLK to Peters Road and continue down Peters Road. Include street lightning, and bike lanes.
2. Extend the side walk that ends at MLK and continue down Brickyard Road to Highway 90 by the Waffle House. Include street lightning, and bike lanes.
3. A welcome sign on East 90 as motorists come into the City of Midway. The sign will be brick with landscaping around the sign and plants inside the base of the sign.
4. Extend the side walk that ends at Palmer Road to Rustling Pines Boulevard and continue down Rustling Pines Boulevard. Include street lightning, and bike lanes.

Sincerely,

Christa Nelson, Chair  
Beautification Committee

### **Attachment 3.C**

---

The proposed project will locate within the City of Midway and will be maintained by City of Midway staff on a regular schedule.

## **Attachment 3.D**

---

No match is proposed for this project.

**Attachment 3.E**

---

Not applicable.

FDOT ENHANCEMENT PROJECT, CITY OF MIDWAY

**WELCOME SIGN**

**PRE-CONSTRUCTION ESTIMATE**

ITEM	DESCRIPTION	QTY	UNIT	UNIT PRICE	EXTENSION
<b>CONSTRUCTION</b>					
1	Sign	1	LS	\$ 4,000.00	\$ 4,000.00
2	Landscapeing	1	LS	\$ 4,000.00	\$ 4,000.00
<i>SUBTOTAL</i>					\$ 8,000.00
CONTINGENCY (10%)					\$ 800.00
<b>TOTAL CONSTRUCTION ESTIMATE</b>					<b>\$ 8,800.00</b>
<b>TOTAL PROJECT COST</b>					<b>\$ 8,800.00</b>